

6W Low Noise, Isolated type DCDC Converter

Compact DC-DC converter BLC series

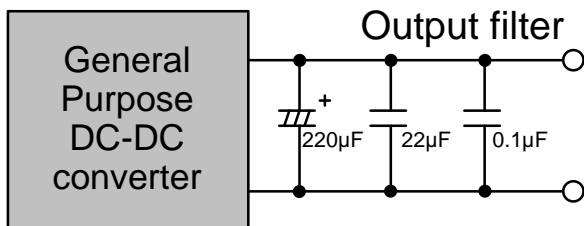
Ideal for analog or mixed-signal circuits susceptible to noise



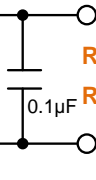
Features

- Low ripple noise **8mVpp**
- Isolation voltage AC500V (1min.)
- Over current protection
- 5 sided metal shield
- No tantalum capacitor nor electrolytic capacitor
- Dual power supply can be used as a single power supply

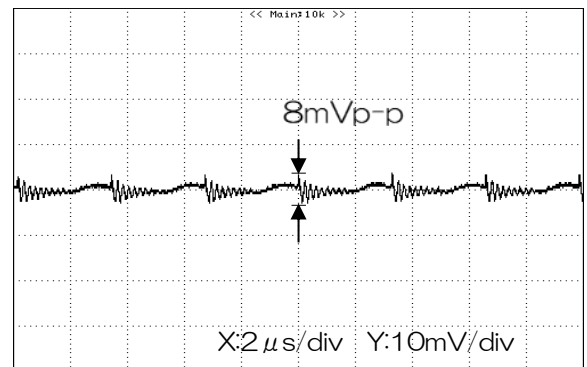
Mounting area



Reduced the number of components
Reduced the mounting area



Low ripple noise



Measurement condition: $V_{in}=5V$, $V_{out}=5V$, $I_{out}=1000mA$,
 $C_{out}=0.1\mu F$ (MLCC), $BW=20MHz$



Line up

Detail information →

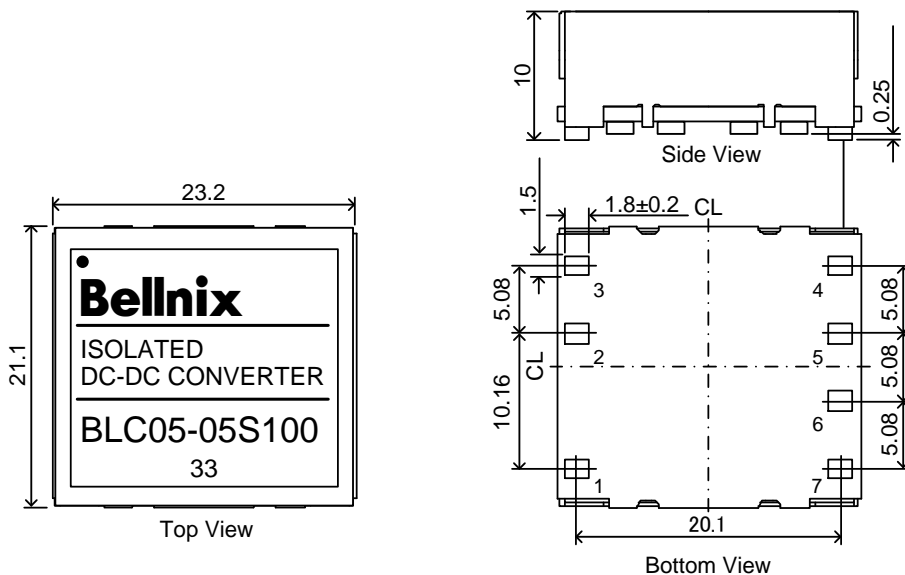
Models BLC Series	Input V Vdc	Output V Vdc	Output I A	Ripple noise mVpp(typ.)	Efficiency % (typ.)	Line Reg. mV(max.)	Load Reg. mV(max.)
BLC05-05S100	4.5 to 9	5	0 to 1000	8	77	20	40
BLC05-12S50		12(15)	0 to 500 (400)		80	40	100
BLC05-12W25		±12(±15)	0 to 250 (200)		80	80	600
BLC12-05S120	9 to 18	5	0 to 1200		80	20	40
BLC12-12S50		12(15)	0 to 500 (400)		83	40	100
BLC12-12W25		±12(±15)	0 to 250 (200)		83	80	600

Bellnix Co., Ltd.
5-7-8 Negishi Minami-ku Saitama-shi
Saitama JAPAN Postcode: 336-0024
TEL: +81-48-864-7733 FAX: +81-48-861-6402
E-mail: info@bellnix.com.
URL : http://www.bellnix.com

No.C035-0.1EN

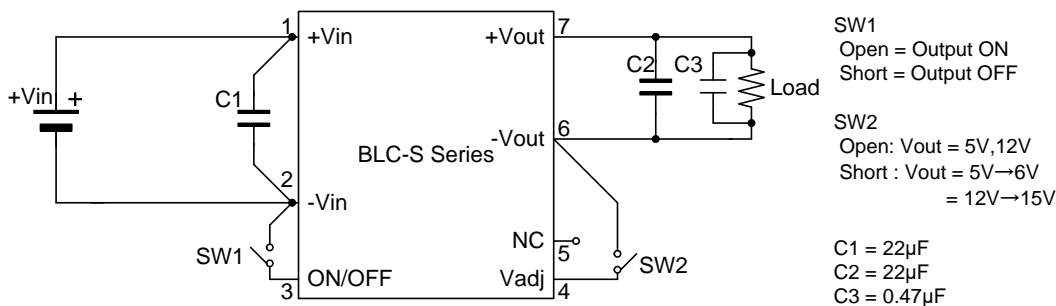
Bellnix[®]

Unit:mm



Standard connection diagram

Single type (S)



Dual type (W)

